



LAVANGO

LAVANGO EHF

KRISTJAN KARL ADALSTEINSSON

www.lavango.is



LAVANGO

ABOUT US

OUR PRODUCTS

OUR
COOPERATIONS

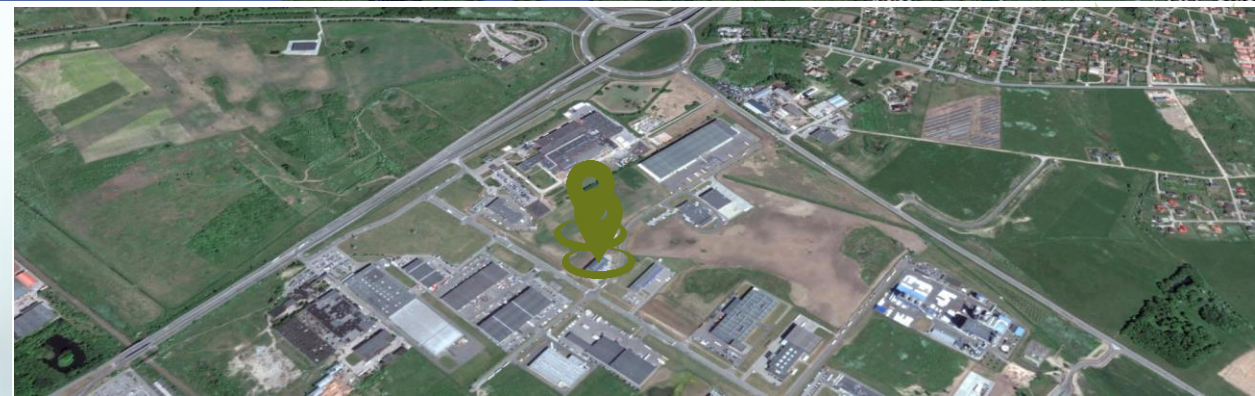
www.lavango.is

About us

Lavango - is a modern food industry equipment design and production company situated in Iceland and Lithuania



Located in Lithuania and Iceland



Iceland – Sales, Design and Service center



Lithuania – Sales, Design and production



Our sales offices:



IS



SE



RU



NO



DK



LT

Ideas that works:

Analysing



Engineering



3D Modeling



Production



Installation



After sales service



Growing turnover

2016

2,6 million EUR

2017

3,6 million EUR

2018

5,1 million EUR

2019

7 million EUR

Growing number of employees

2016

29 employees

2017

35 employees

2018

43 employees

2019

60 employees



LAVANGO

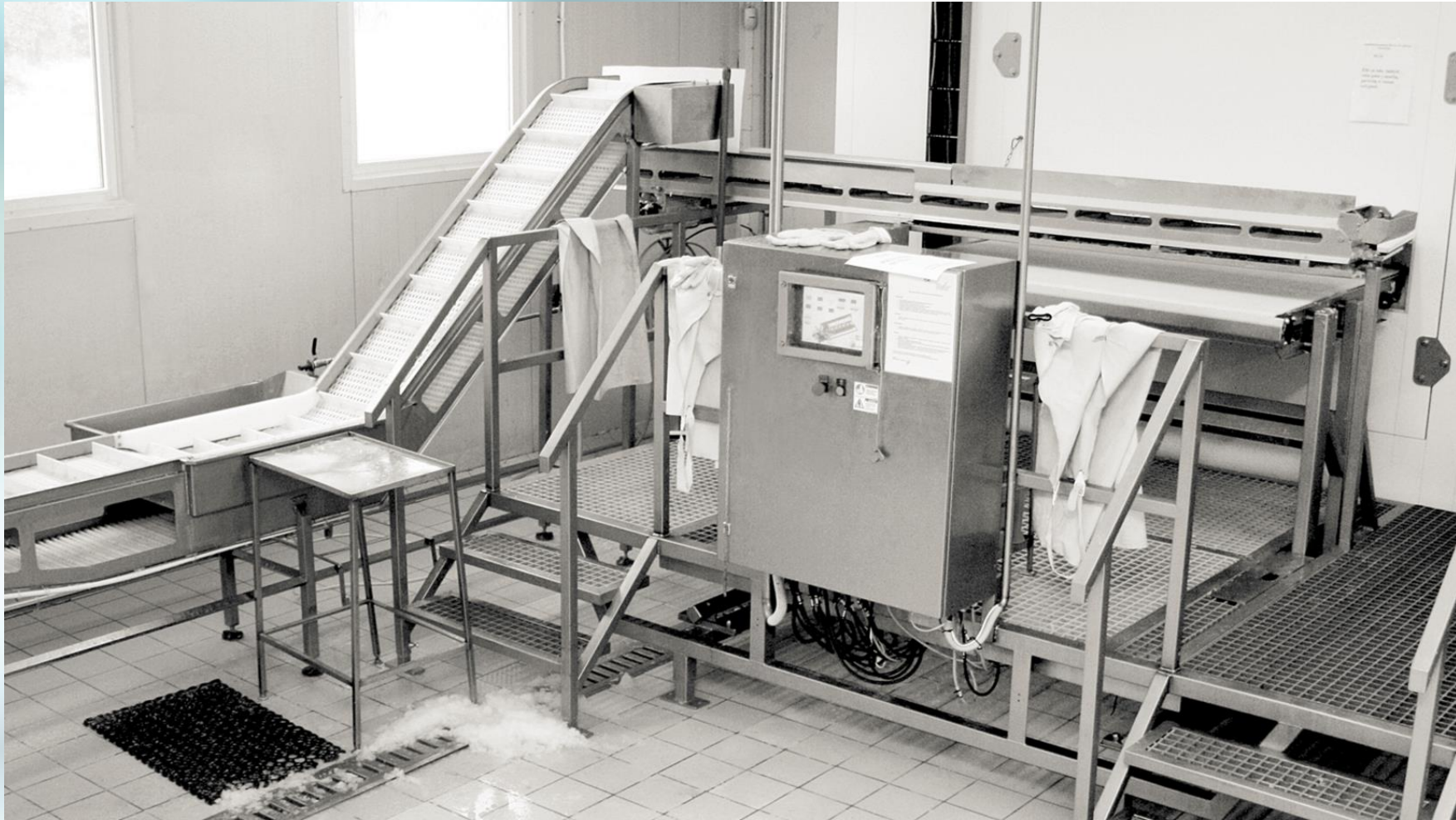
ABOUT US

OUR PRODUCTS

OUR
COOPERATIONS

www.lavango.is

Products



www.lavango.is

Products



www.lavango.is

Products



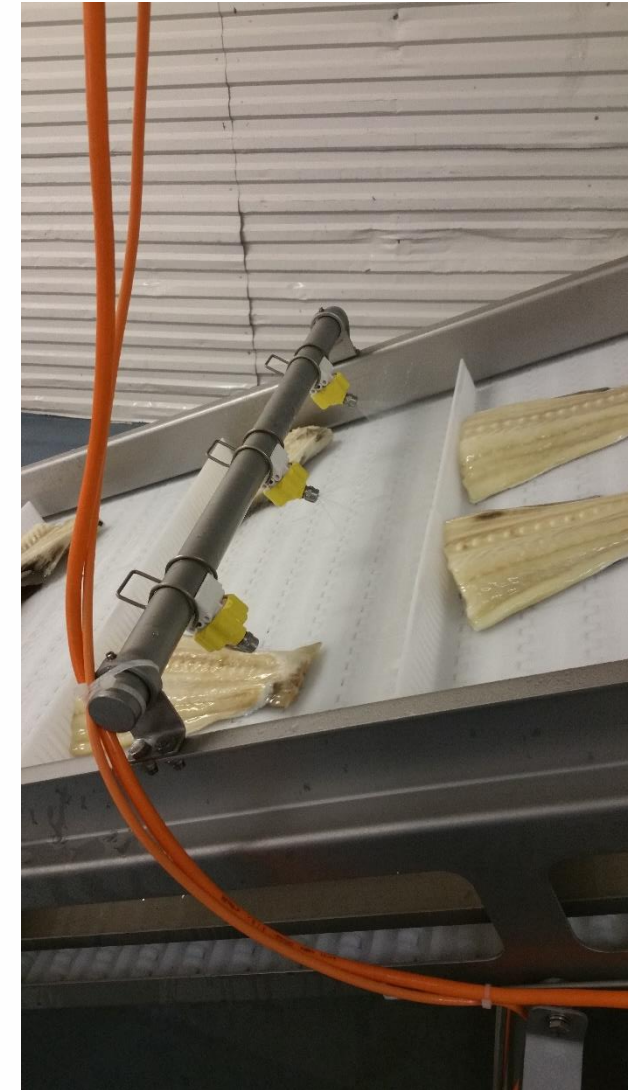
www.lavango.is

Products

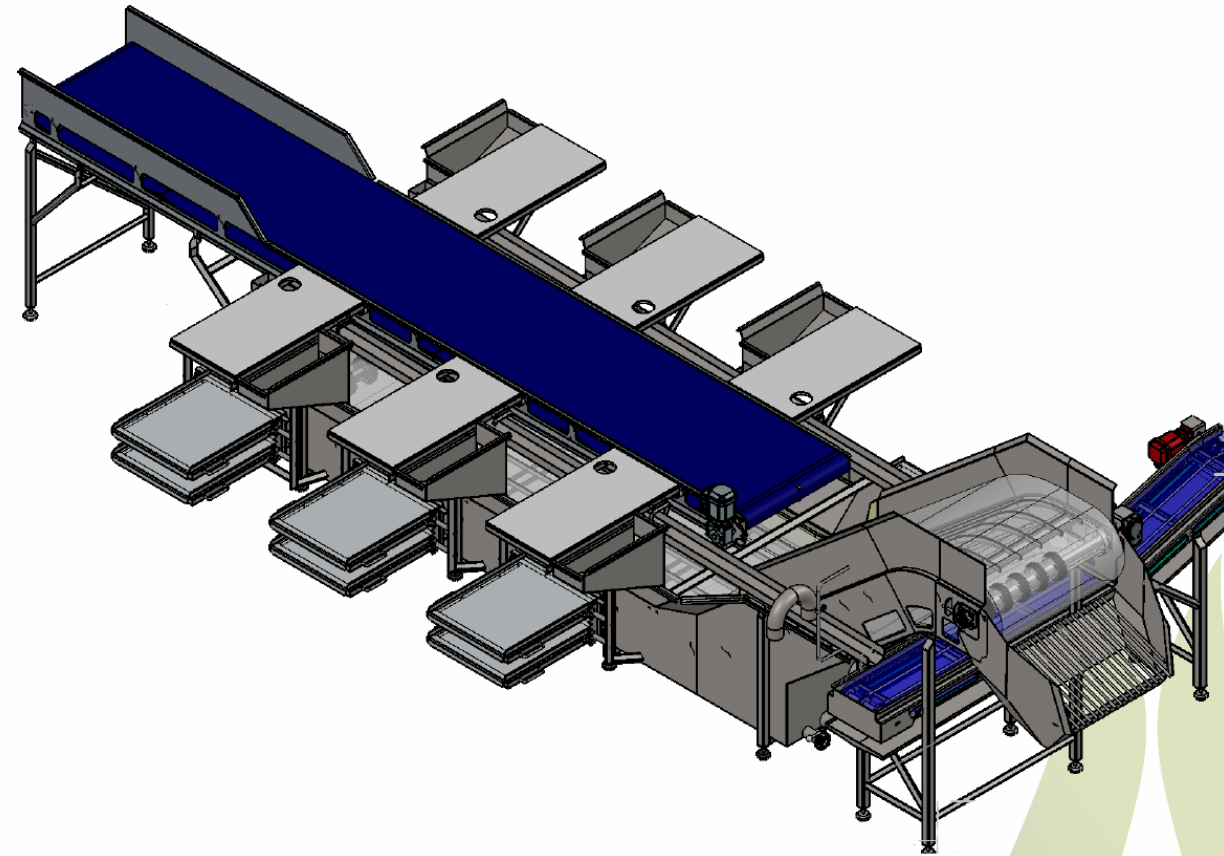
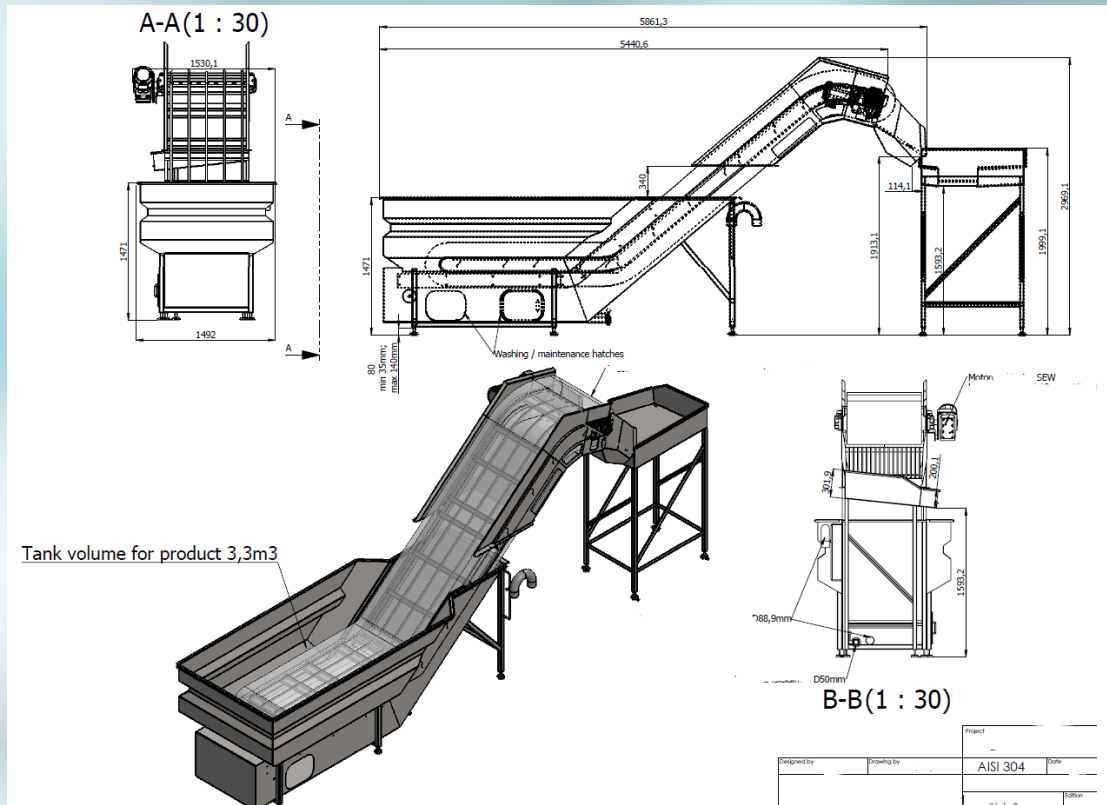


www.lavango.is

Products



Products



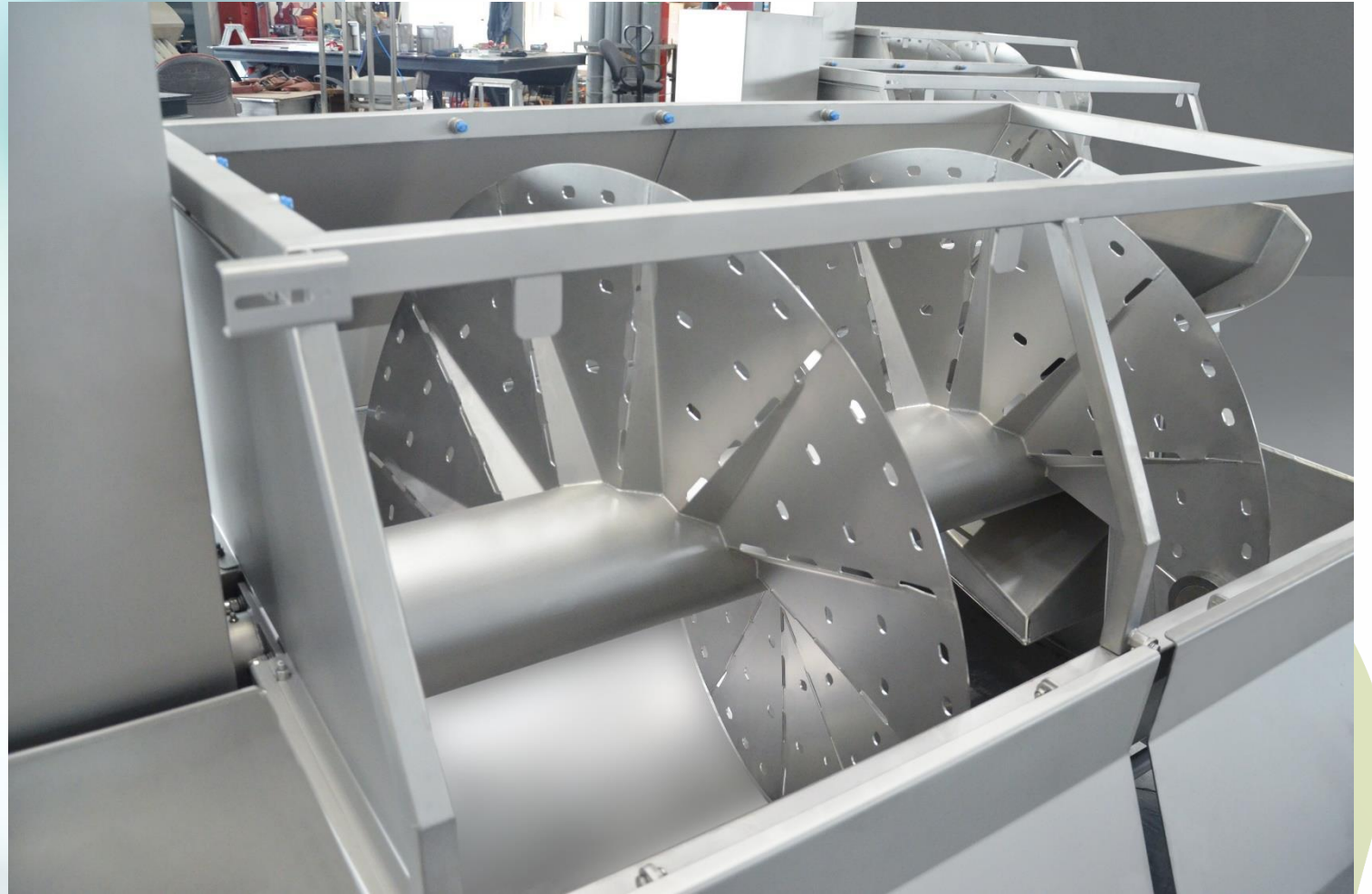
Products



www.lavango.is

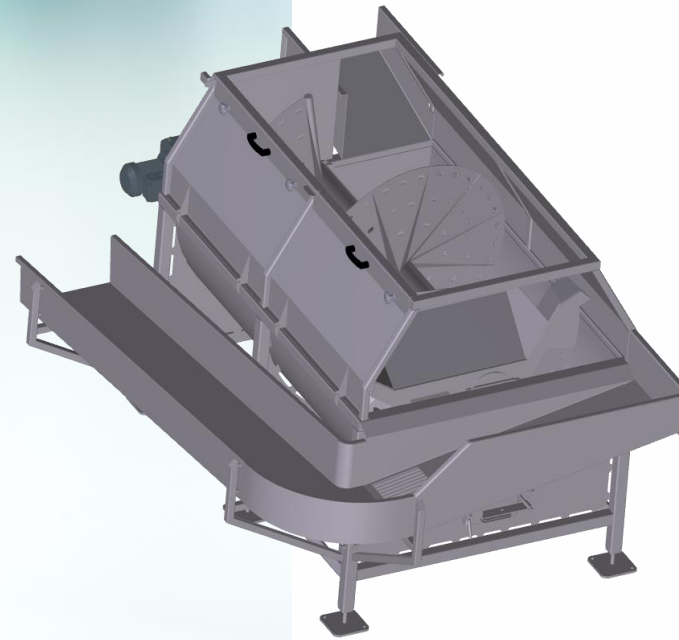


Products



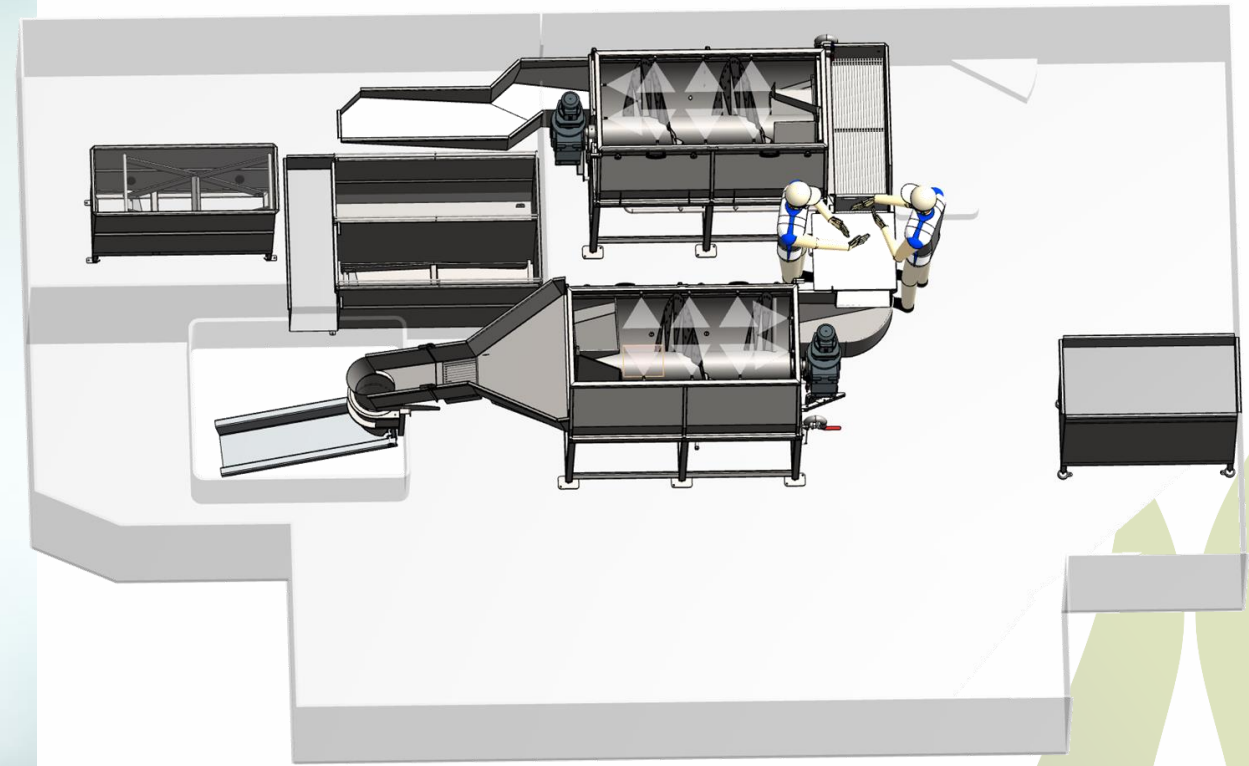
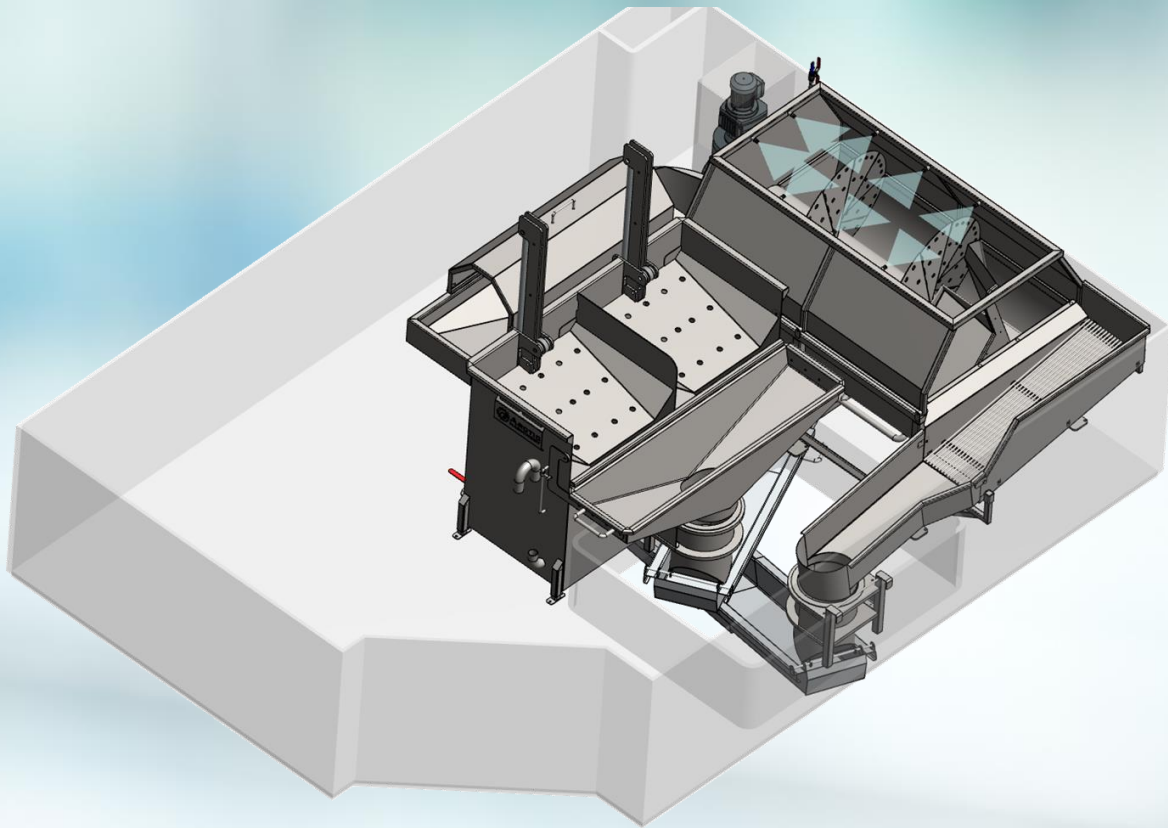
www.lavango.is

For small and large vessels



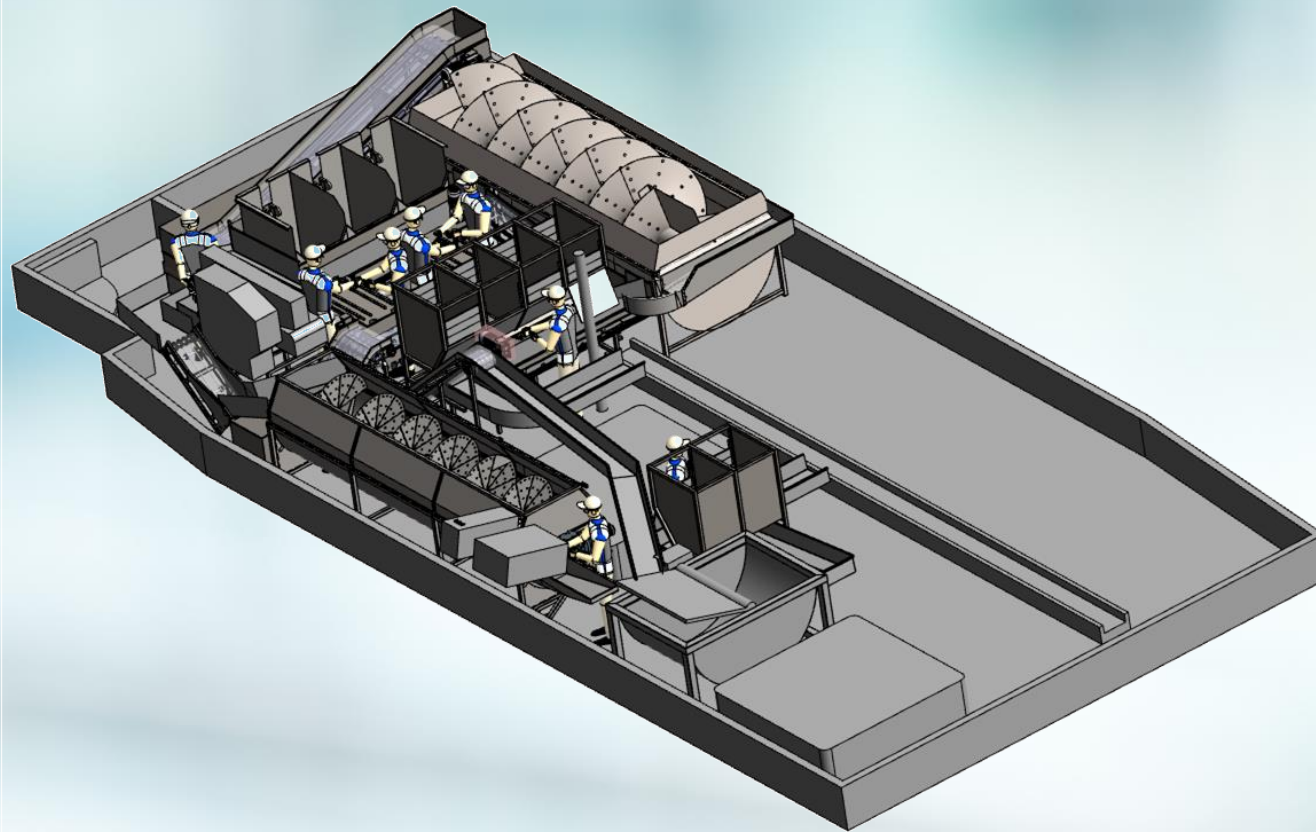
www.lavango.is

For small and large vessels



www.lavango.is

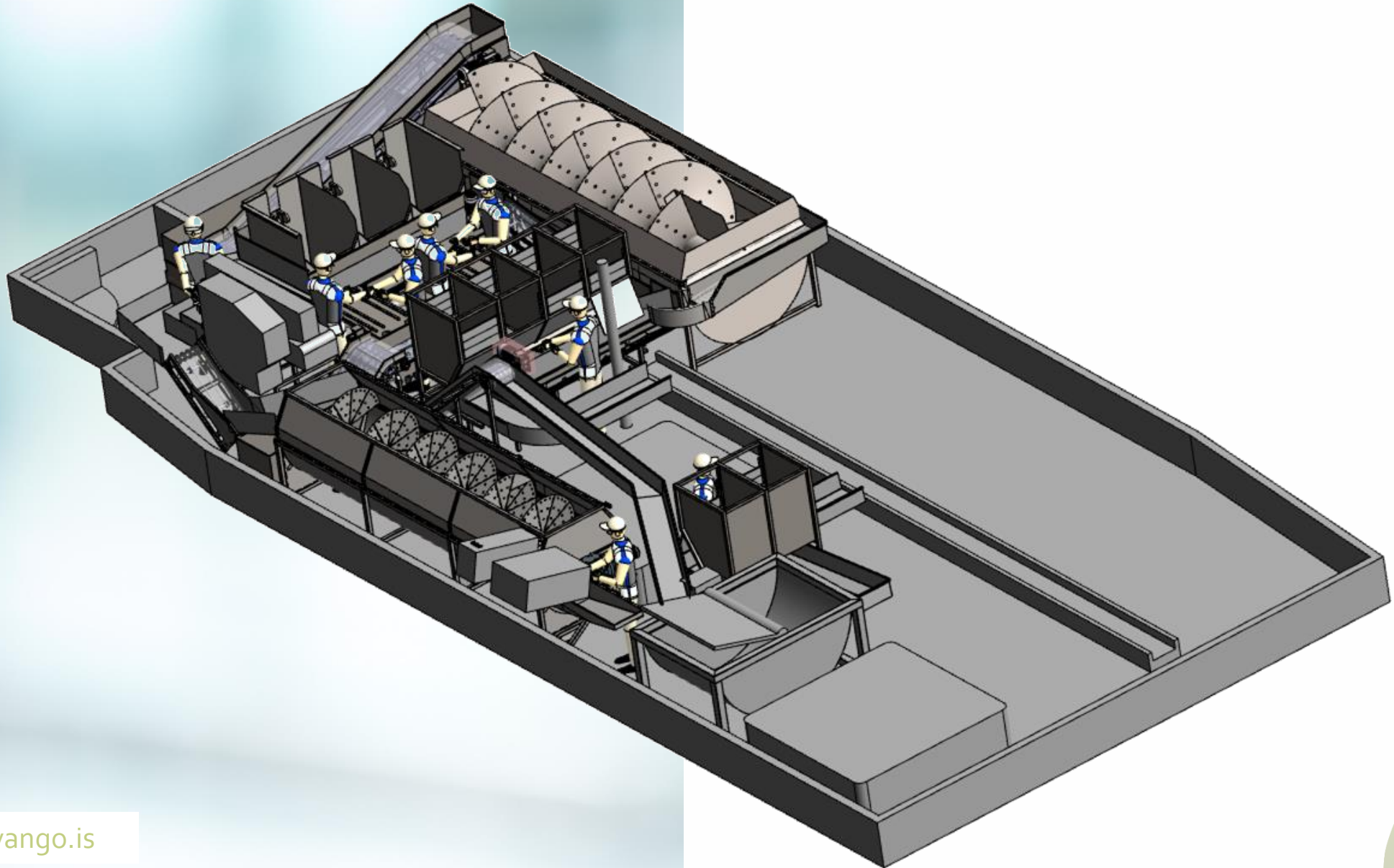
For small and large vessels



www.lavango.is

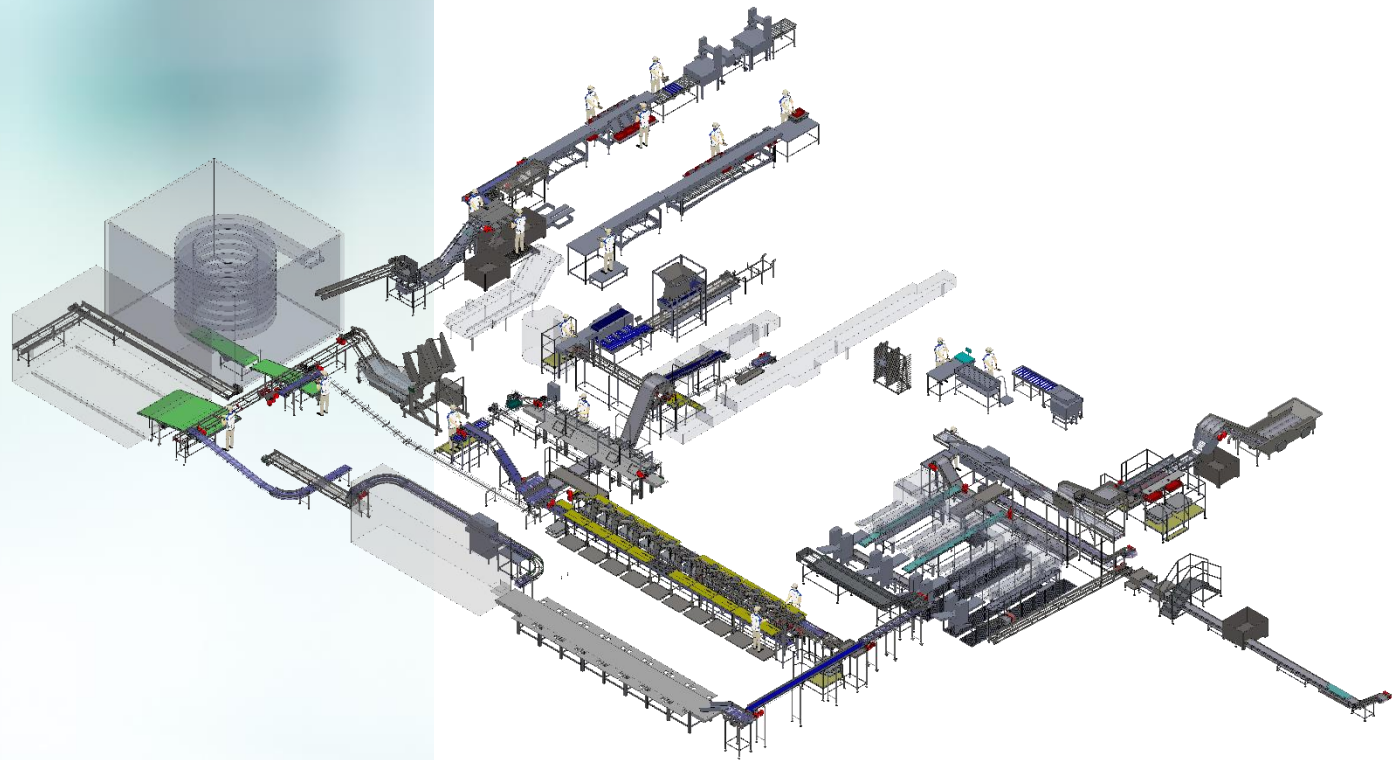


For small and large vessels

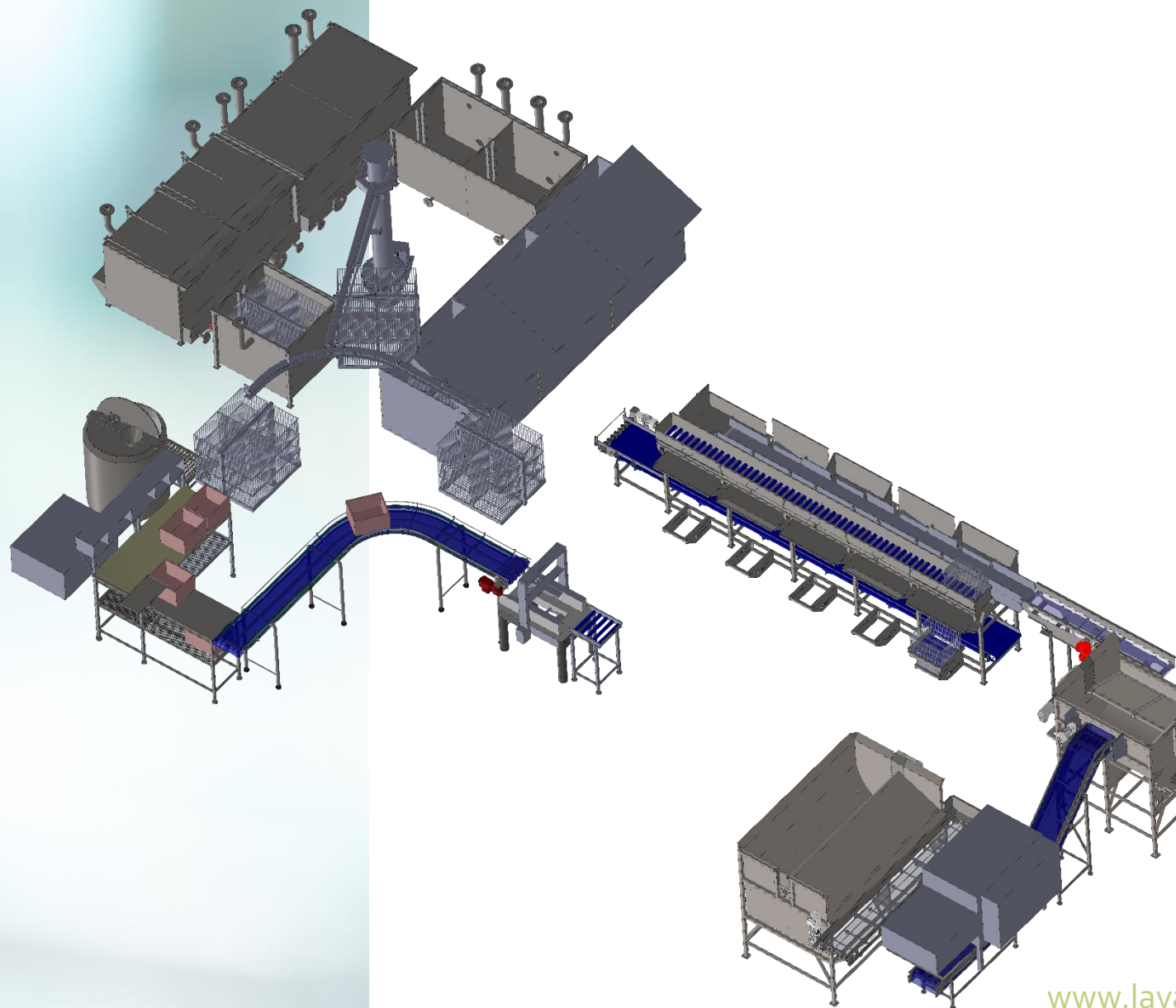


Our projects examples

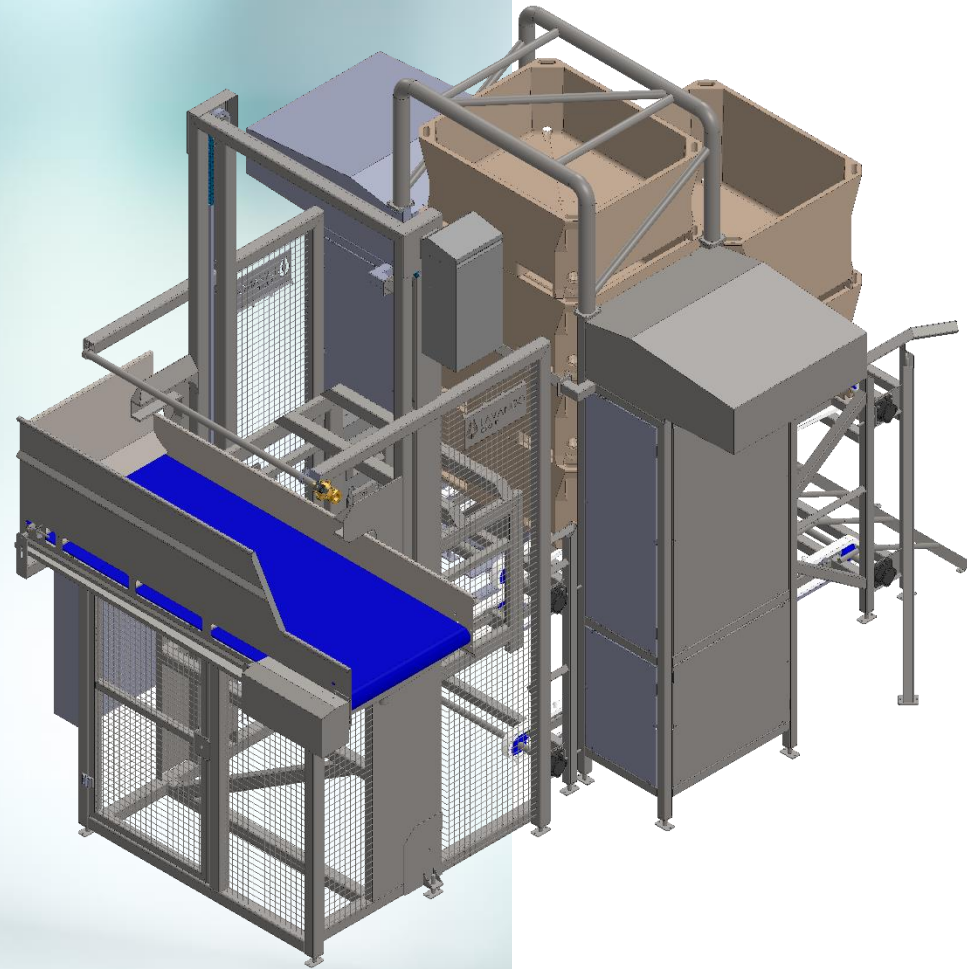
LAND BASED FISH PROCESSING LINE



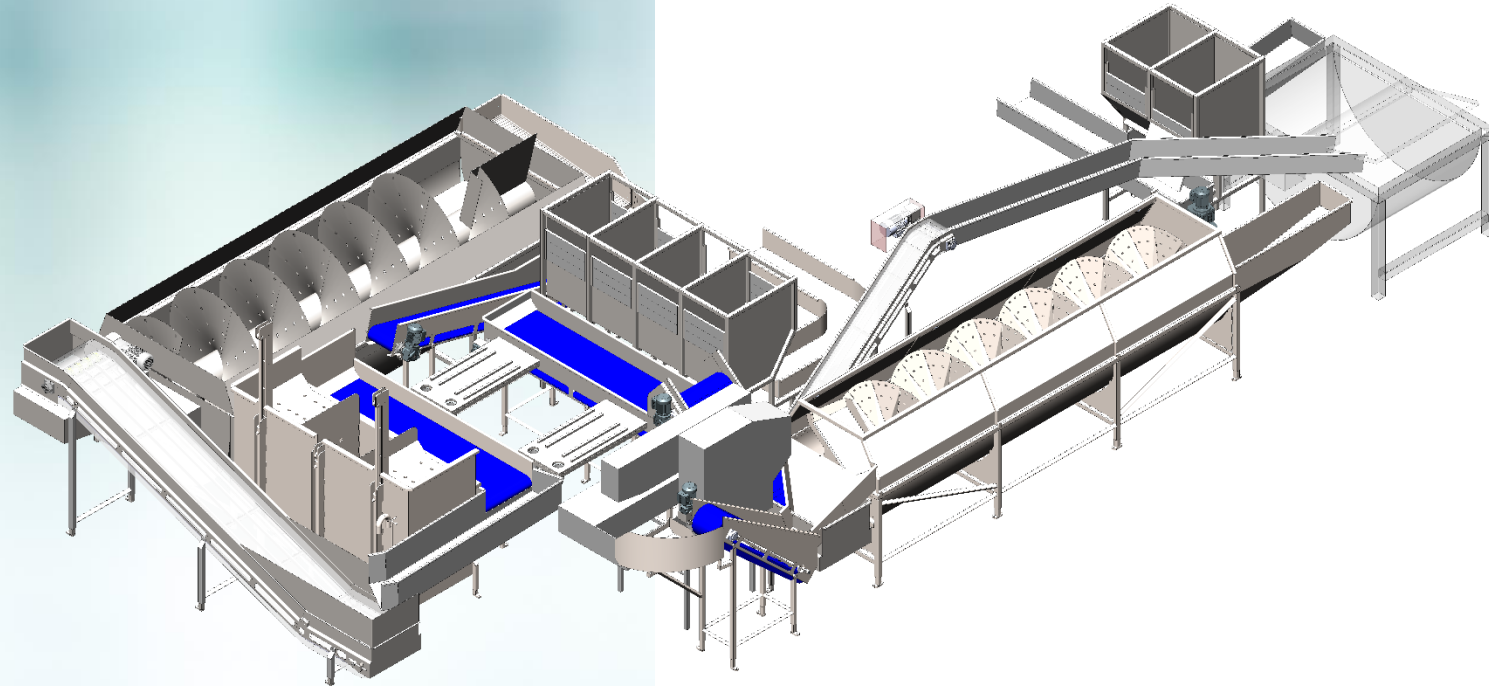
ON BOARD CRAB PROCESSING LINE



TUB INFEED SYSTEMS



ON-BOARD SOLUTIONS



BOX AND PALLETS HANDLING EQUIPMENT LINE



Our successful cooperation with other food processing technology suppliers



LAVANGO

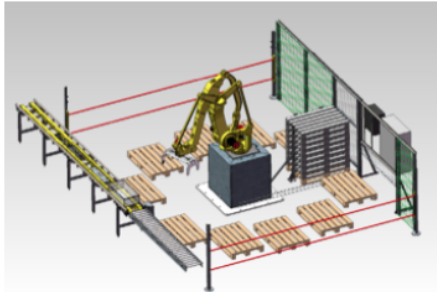
Samey 

www.lavango.is

Automate your palletizing process with a robotic solution from Samey.

Using the latest robot technology available, Samey delivers a box palletizing system for use in the salmon and fish industry. The system is designed to stack products on up to 10 pallets per cell simultaneously and handle a range of different sizes and products concurrently.

The system is scalable and can be extended with additional robotic cells adding both capacity and product flexibility.



Key benefits

- High capacity and fully automated
- Minimum operational cost
- Simple product loading configuration
- Scalable, capacity can be added over time
- Integrates with labeling and tracking systems
- Operational reliability

Technical information

Floor space (per cell):

30 - 100 m²

Ceiling height:

min 3,5 m.

Electrical power:

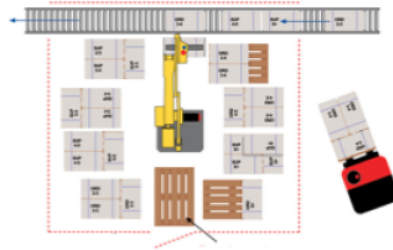
3x400 V 32 A

Capacity (per cell):

450 - 720 boxes pr/h.

Solution examples

Floor loading



Fully automatic



2017 - First project



Samey
Turnkey solutions from design to commissioning

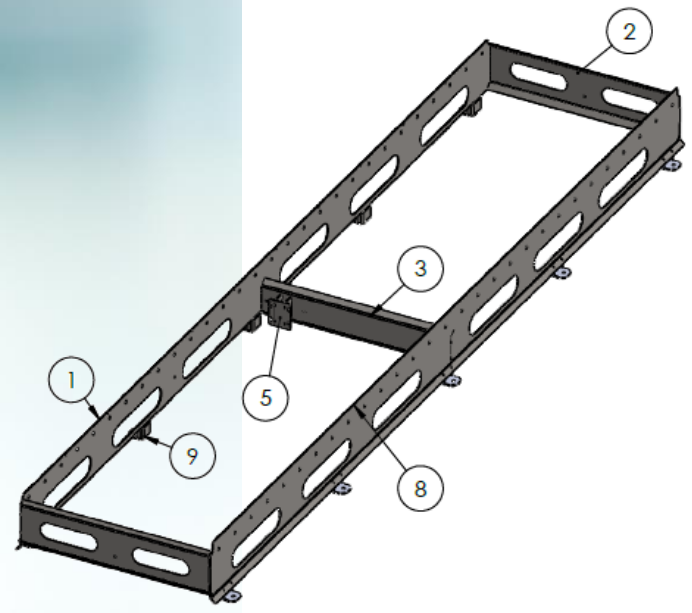
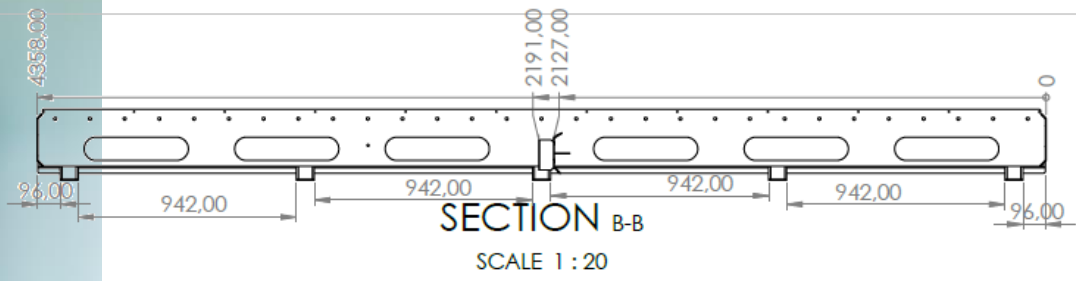
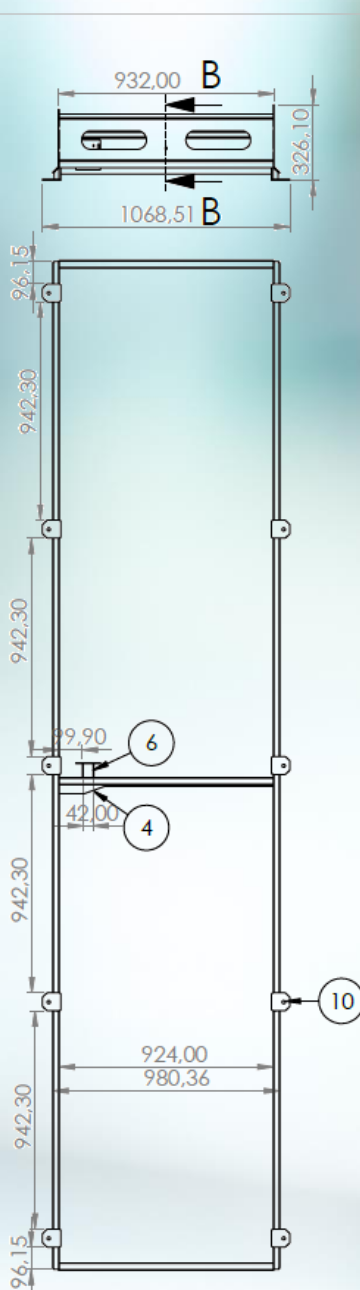
Tel: 510 5200
info@samey.is
www.Samey.is

Samey ehf.
210 Garðabær
Lyngás 13



www.lavango.is





ITEM NO.	PART NUMBER	DESCRIPTION	QTY.
1	112128-8000-2003-Ler232244445885854	Conveyor side	1
2	112128-8000-2004-Ler232244445885854		2
3	112128-8000-2005-Ler232244445885854	Cross beam	1
4	112128-8000-2006-Ler232244445885854		1
5	112128-8000-2042-Ler232244445885854	Mótorplata	1
6	112128-8000-2043-Ler232244445885854	Mótor milliplata	2
8	112128-8000-2003-Ler23mirrorr2225454544445885854	Conveyor side	1
9	KOJELĖS		5
10	MirrorKOOJELĖS2244445885854		5

Gaminama: 1vnt.

Rėmo surinkimas

Pak. Lapas	V. Pavardė	Parasas	Data
Projektavo	G.ČERNIAUSKAS		2019-05-03
Braižė	G.ČERNIAUSKAS		2019-05-03
Klientas			
Gamyba			
Kokybė			

Detalės kodas	Kiekis	Masė	Mastelis
G19057-11			
Medžiaga:	Lapas 2 Lapu 14		
AISI304			

Originalo, inv. Nr.
 Parasas ir data
 Pak. inv. Nr.
 Dujų inv. Nr.
 LAPAS

TODAY we have finalized 21 projects together and 5 are
in production at the
Moment.



Samey 



LAVANGO

LET'S MEET IN

**SEAFOOD EXPO RUSSIA
10 – 12 JULY 2019
SAINT-PETERSBURG,
EXPOFORUM EC**

Pavilion F. Stand No. G1-3



LAVANGO

Ideas that works

Follow us:

**Facebook, LinkedIn,
Youtube**

**info@lavango.is
www.lavango.is**